

RoomMatch™ RMS215

subwoofer module loudspeaker

Key Features

- **Subwoofer** for Bose RoomMatch™ array module loudspeakers
- **Dual Bose LF15 15-inch**, high-excursion, 4-inch voice coil transducers
- **1000 W long-term** / 4000 W peak power handling
- **139 dB SPL** peak maximum SPL at 1 m
- **Optional side-plate** mounting kit (RMSFLY) allows integration with RoomMatch full-range modules in arrays
- **Optional Array Frames** and Extender Bars allow cardioid configurations
- **Bose Modeler® Software features** presets for cardioid configurations



TECHNICAL DATA SHEET

Product Overview

RoomMatch™ RMS215 subwoofer module is designed primarily to extend the low-frequency response of Bose RoomMatch™ arrays to 40 Hz. The RMS215 subwoofer module features dual Bose LF15 15-inch high-excursion woofers, with a proprietary port design that minimizes distortion and improves perceived transient impact. The durable Baltic birch enclosure with 2-part polyurethane coating allows reliable ground-stack applications.

Technical Specifications

System Performance	
Recommended High-Pass Filter	40 Hz with minimum 12 dB / octave (2nd order) slope
Frequency Range (-10 dB) ¹	40 Hz - 280 Hz
Nominal Dispersion	Omnidirectional below 100 Hz
Recommended Crossover Frequency	80 Hz - 200 Hz (active, external DSP)
Long-Term Power Handling ²	1000 W (4000 W peak) Per woofer: 500 W (2000 W peak)
Nominal Impedance	2 x 8 Ω (discrete connection per woofer)
Array Position (free field)	
Sensitivity (SPL / 1 W @ 1 m) ³	97 dB SPL Ground Stack (half space)
Maximum SPL @ 1 m ⁴	127 dB SPL (133 dB SPL peak) 103 dB SPL
	133 dB SPL (139 dB SPL peak)
Transducers	
Driver Complement	LF: 2 x Bose LF15 high-excursion 15-inch woofers (4-inch voice coil)
Physical	
Enclosure	13-ply Baltic birch plywood
Finish	Two-part spray polyurethane coating, black
Grille	18-gauge (1.2 mm) perforated steel, powder-coated finish, black
Environmental	Indoor use only
Connectors	Two (2) parallel-wired NL4 Neutrik® Speakon® connectors
Suspension / Mounting	Sixteen (16) M10 threaded inserts (4 each: top, bottom, sides); optional RMSFLY kit for RoomMatch™ array integration
Dimensions	17.6" H x 37.1" W x 21.5" D (446 mm x 942 mm x 546 mm)
Net Weight	132 lb (59.9 kg)
Shipping Weight	143 lb (64.9 kg)
Product Code	
Black	330034-0110

Footnotes:

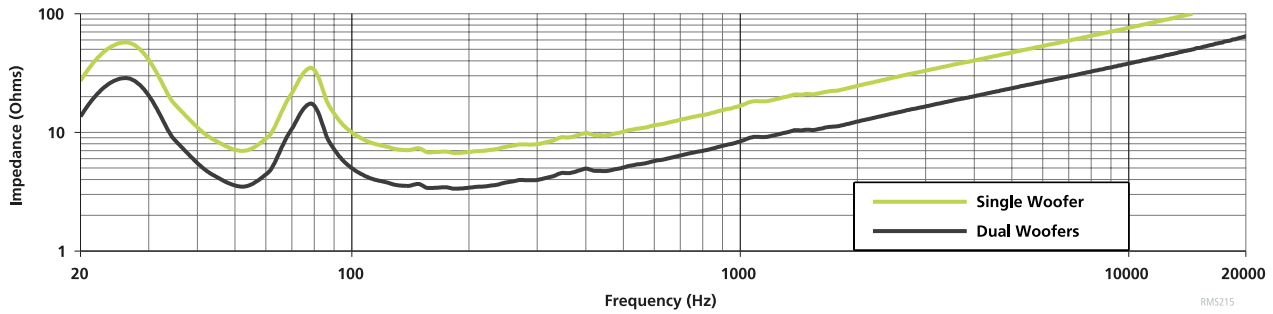
- ¹ Frequency response and range measured on-axis with recommended active EQ in an anechoic environment.
- ² Power handling tested using pink noise filtered to meet IEC 268-5, 6 dB crest factor, 100 hours, with recommended EQ.
- ³ Sensitivity measured in free field (no boundary-loading gain) with recommended active EQ, referenced to 1W/1m.
- ⁴ Maximum SPL calculated from sensitivity and power handling specifications, exclusive of power compression.

RoomMatch™ RMS215

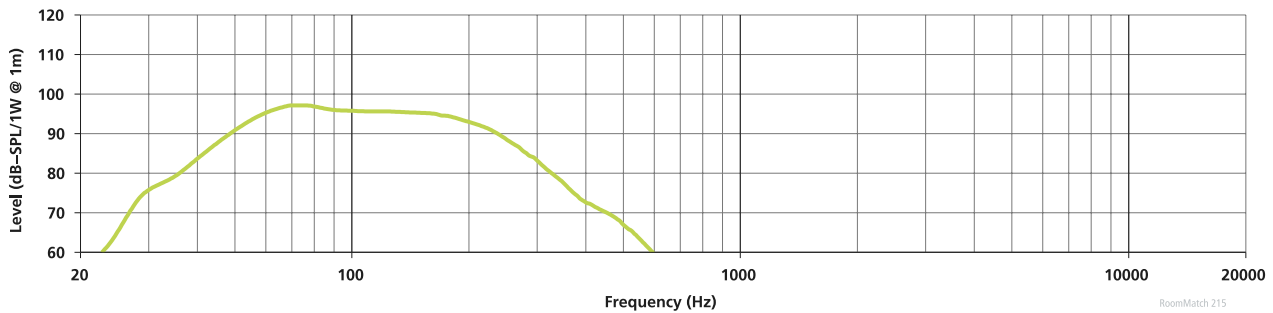
subwoofer module loudspeaker



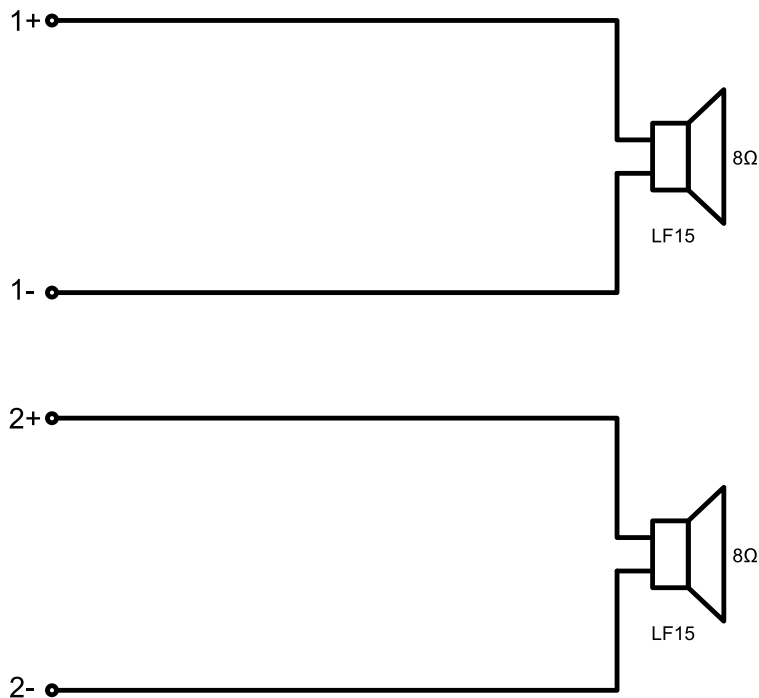
Impedance



On-Axis Response



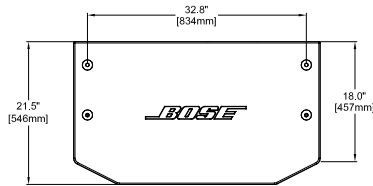
Wiring Diagram



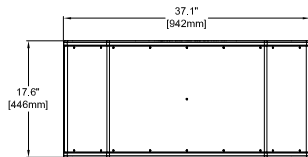
RoomMatch™ RMS215 subwoofer module loudspeaker



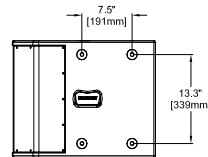
Mechanical Diagrams



Top View



Front View



Right View

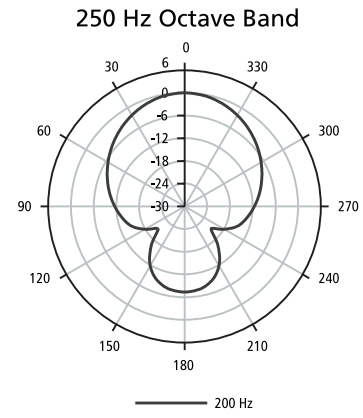
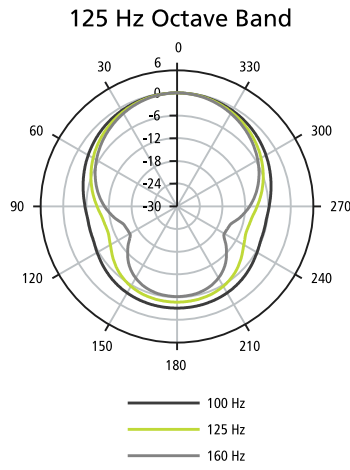
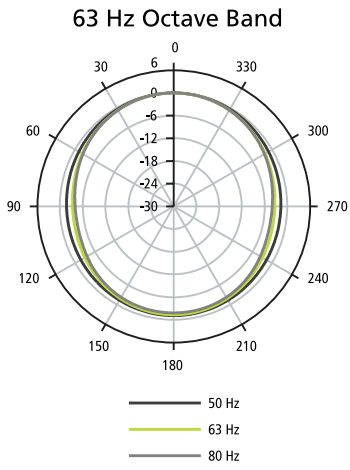
TECHNICAL DATA SHEET

RoomMatch™ RMS215

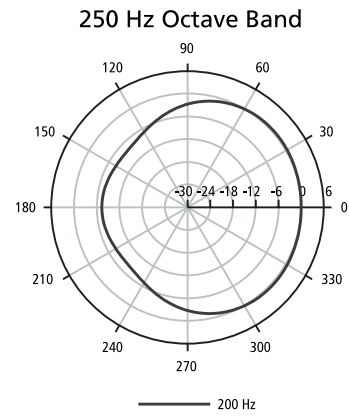
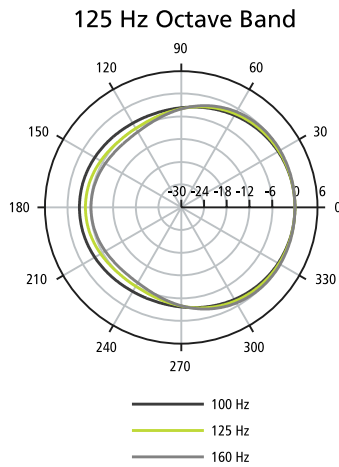
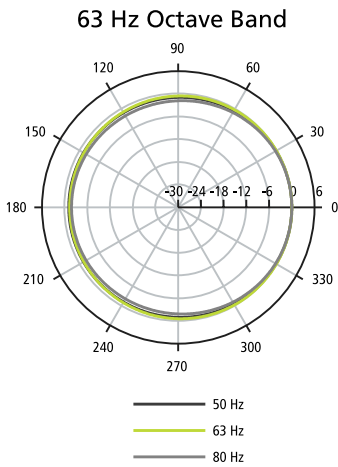
subwoofer module loudspeaker



Horizontal Plots



Vertical Plots



RoomMatch™ RMS215 subwoofer module loudspeaker



Architects' and Engineers' Specifications

The subwoofer array module loudspeaker shall contain two (2) 15-inch high-excursion cone transducers with 4-inch voice coils. The low frequency drivers shall be loaded into a direct-radiating vented enclosure.

The array module subwoofer shall meet the following performance specifications: On-axis system frequency response shall be 40 Hz to 280 Hz (- 10 dB). The module sensitivity shall be 97 dB SPL in free field and 103 dB SPL in half-space loading with 1 W input. Maximum continuous output shall be 127 dB SPL in free field and 133 dB SPL in half space loading. Maximum peak output shall be 133 dB SPL in free field and 139 dB SPL in half space loading. Each 15-inch transducer shall have a long-term power handling rating of 500 W (using IEC 268-5 pink noise, 6-dB crest factor, for 100 hours, with recommended EQ) and a nominal input impedance of 8 ohms.

The subwoofer module loudspeaker enclosure shall be constructed of 13-ply Baltic birch plywood, protected by a two-part polyurethane coating. The transducers shall be protected by an 18-gauge (1.2 mm) perforated steel grille with powder-coated finish. Input connectors shall be two (2) parallel-wired Neutrik® NL4 Speakon® connectors, which shall be wired to provide discrete amplifier channel drive to each transducer. The finish will be black (paintable).

Loudspeaker dimensions shall be 17.6 x 37.1 x 21.5 in (446 x 942 x 546 mm) and net weight shall be 132 lb (59.9 kg). An optional accessory side-plate rigging kit (RMSFLY) is available to facilitate integrating the RMS215 subwoofer with full-range modules. The net weight of the subwoofer module increases to 168 lb (76.2 kg) when the RMSFLY kit is installed.

The subwoofer array module loudspeaker shall be the Bose® RoomMatch™ RMS215.

Additional Notes

- **Environment:** Measured at 10 m. Responses are time-windowed and processed to eliminate room effects, approximating an anechoic environment
- **On-Axis Response:** 1/10 octave band smoothed response with recommended active EQ
- **Horizontal/Vertical Plots:** 1/3 octave band smoothed polar responses with recommended active EQ applied to the module